

MODERN ARCHITECTURAL STONE
QUALITY STONEMWORK EVERYTIME

QUALITY CAST STONE EVERYTIME

Modern Architectural Stone Limited is a well established company specialising in manufacturing high quality cast stone products. We produce all types of artificial cast stone and precast units using time served methods. Blending different aggregates and pigments to reach the required finish and colour. We then proceed to hand finish each item to the highest standard.

Our small but highly qualified and dedicated team pride themselves with the quality of workmanship produced at our plant in Northumberland. Turning out some of the finest pieces seen nationwide. Our staff collectively have over 100 years experience within the Artificial Stone Sector.

THE PRODUCT RANGE

As you will see we have an extensive range of standard products throughout our brochure. However, we also specialise in bespoke products offering a tailor made service to suit our clients every need.

With all bespoke orders life invariably begins with an architect's drawing or client's sketch from which an Artstone schedule will be created (if required). This would be then passed on to the pattern shop for the preparation of the moulds. From here your order passes through various stages of manufacture and quality checks to replicate, simple or intricate designs to guarantee products for your individual requirements.

PACKAGING

All our units are packaged, using a high density polystyrene and pallet wrap. You will also find a pallet card showing what units are on the pallet, who packed them and any additional fixings supplied, i.e. Dowels, ties etc.

We photograph every pallet prior to wrapping for quality control. We can use these photographs to assist the customer to locate a particular item and identify the relevant pallet to prevent any potential lost time on site.

CURING

We recommend a minimum curing time of 14 day's from casting to delivery to minimise site damage. However, we appreciate that the site may require an early delivery of particular items. In the event of this, please contact us and our friendly staff will discuss all the options available to you to get the goods released early.

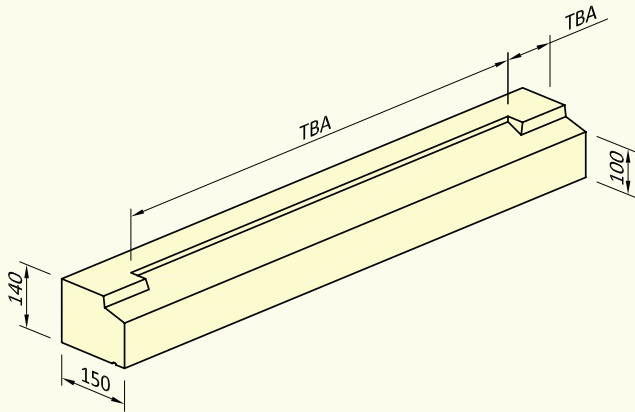
DELIVERY

We offer various delivery options throughout the UK

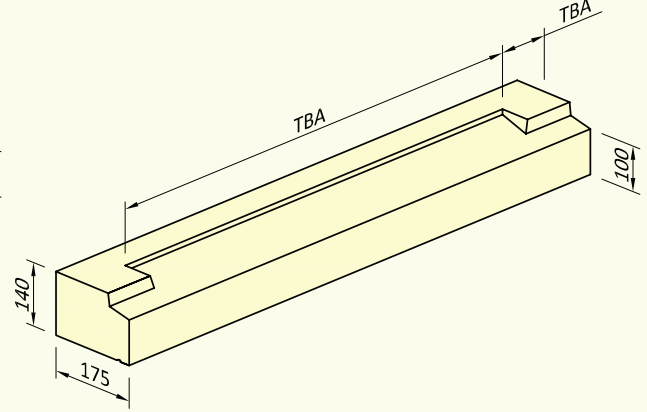
- Nationwide pallet express (kerbside offload)
- Nationwide articulated vehicle (site forklift required)
- Our normal haulier (crane off load)
- 3.5t flat bed for small local deliveries (site forklift required)

Standard Cills

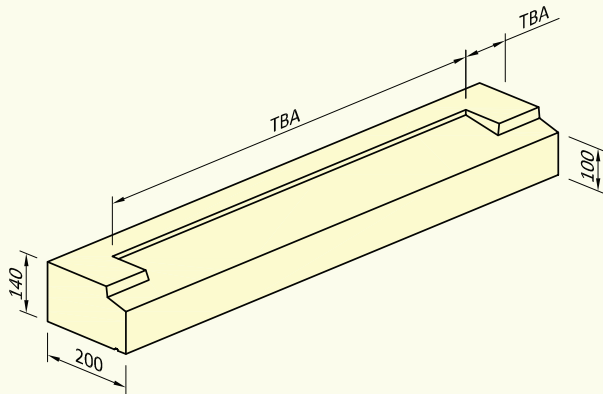
Issue Date: January 2014
Tel: 01670 854316
Fax: 01670 818724
Email: info@modernarchitecturalstone.com
Web: www.modernarchitecturalstone.com



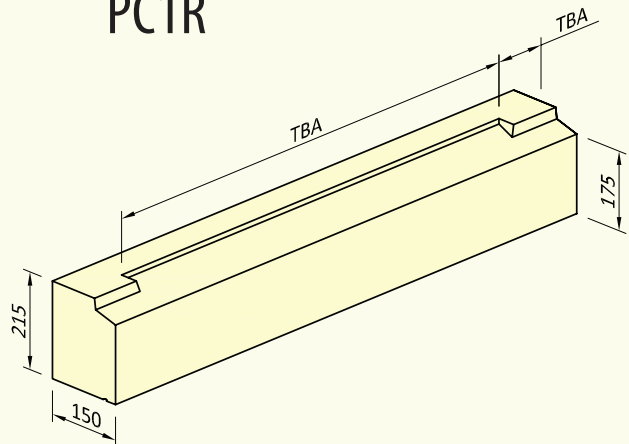
PC1



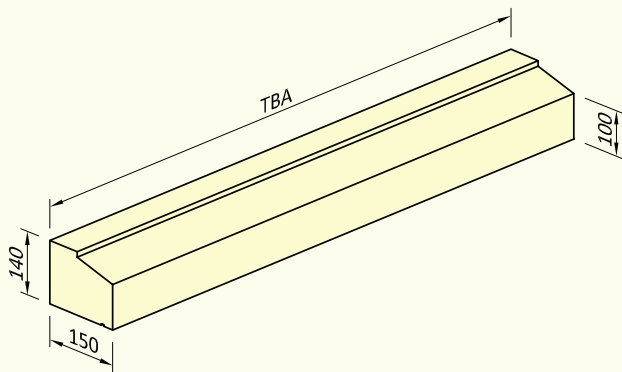
PC1R



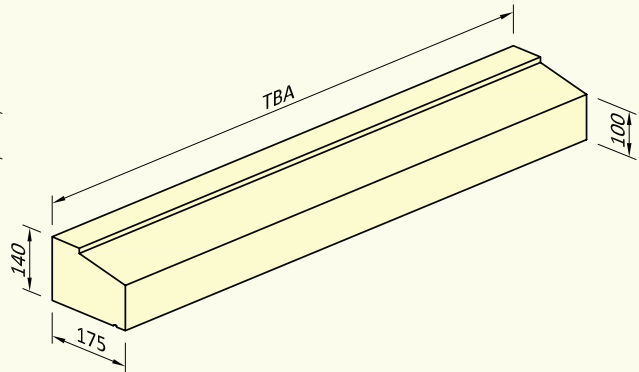
PC2



PC3



PC4

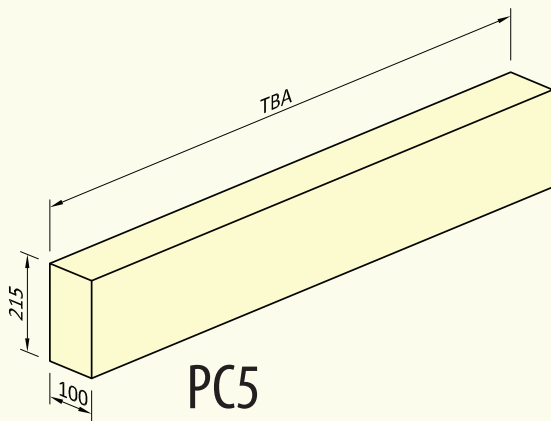


PC4R

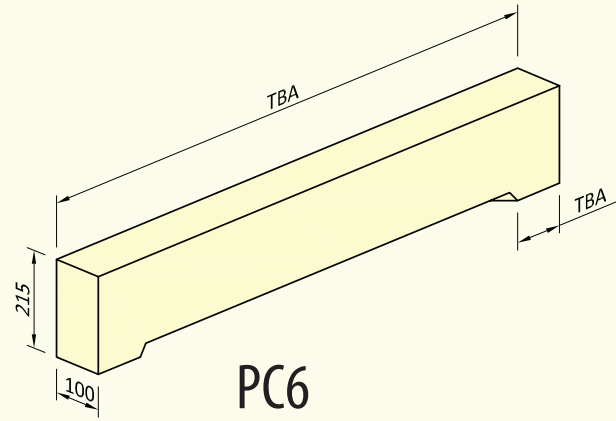
All units supplied by Modern Architectural Stone are manufactured to the highest standards and in accordance with current health and safety regulations. With this in mind ALL units above 50kg are manufactured in sections unless stated with the order, in this case lifting inserts will be fitted at our standard rate.

Standard Heads

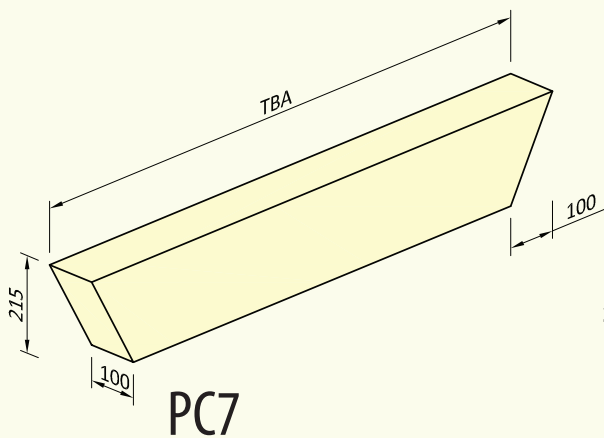
Issue Date: January 2014
Tel: 01670 854316
Fax: 01670 818724
Email: info@modernarchitecturalstone.com
Web: www.modernarchitecturalstone.com



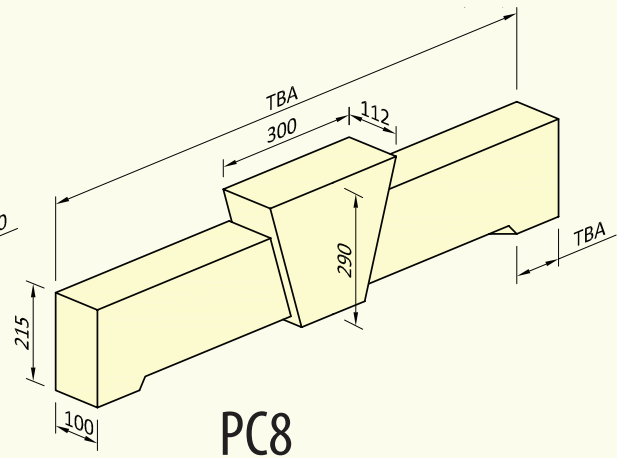
PC5



PC6



PC7



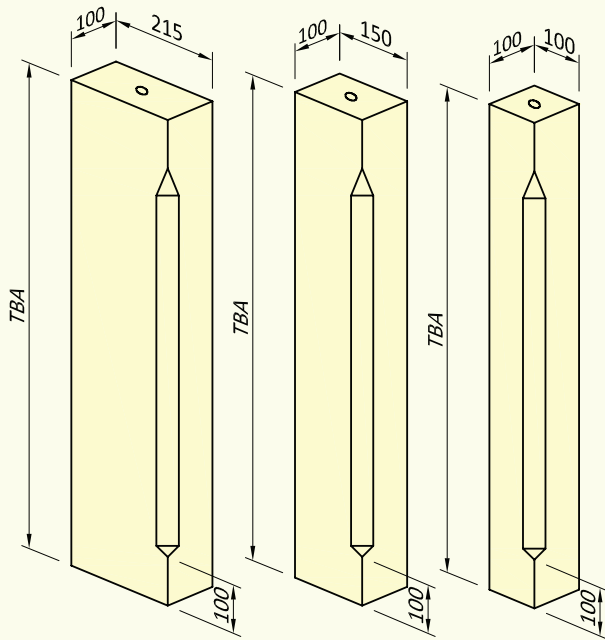
PC8

For render or natural stone please use the following codes after the product code i.e. PC5R or PC5S etc. R= Render - 125mm on bed or S= Stone - 150mm on bed. We can also supply the units above to suit 73mm bricks as standard, call our sales team with any special requirements. All quotes are fully itemised showing any additional mould charges.

All units supplied by Modern Architectural Stone are manufactured to the highest standards and in accordance with current health and safety regulations. With this in mind ALL units above 50kg are manufactured in sections unless stated with the order, in this case lifting inserts will be fitted at our standard rate.

Mullions and Jambs

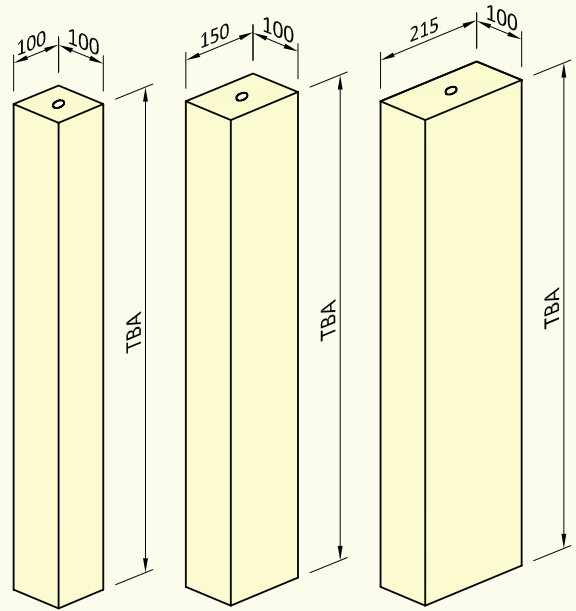
Issue Date: January 2014
Tel: 01670 854316
Fax: 01670 818724
Email: info@modernarchitecturalstone.com
Web: www.modernarchitecturalstone.com



CJ215

CJ150

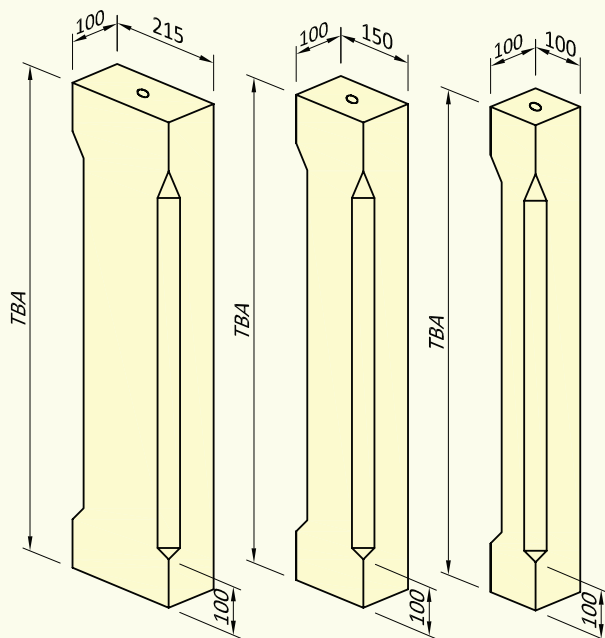
CJ100



PJ100

PJ150

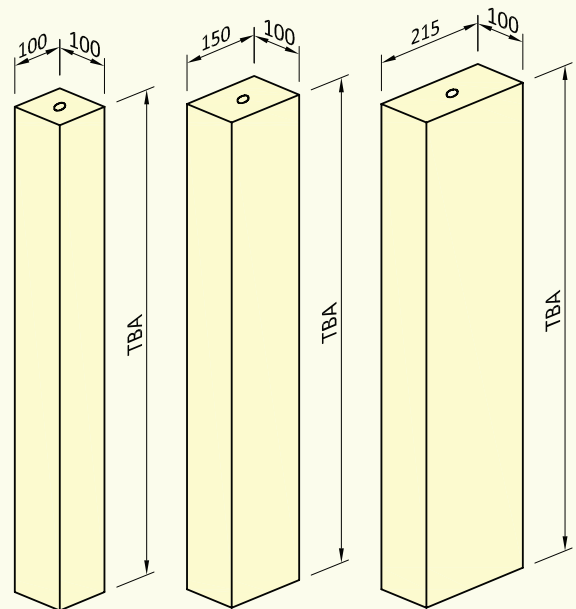
PJ215



CM215

CM150

CM100



PM100

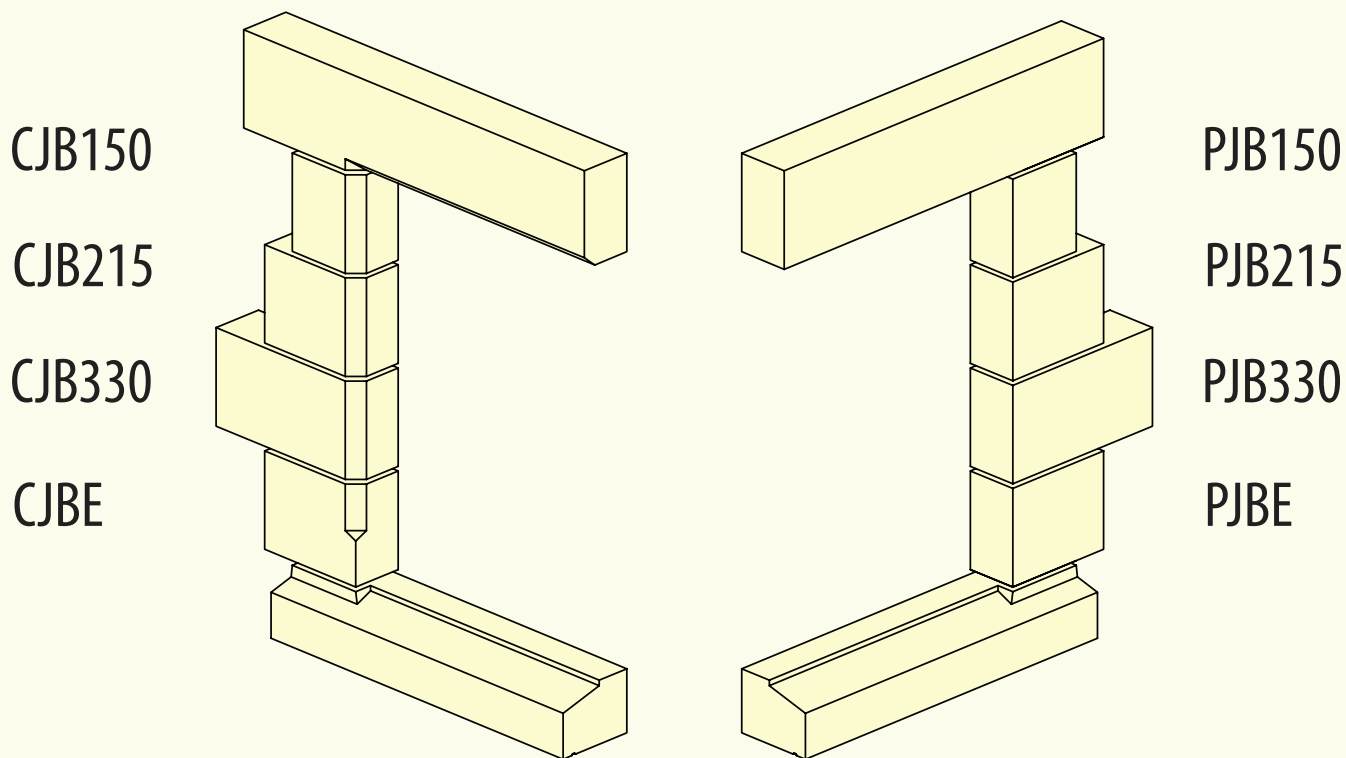
PM150

PM215

All units supplied by Modern Architectural Stone are manufactured to the highest standards and in accordance with current health and safety regulations. With this in mind ALL units above 50kg are manufactured in sections unless stated with the order, in this case lifting inserts will be fitted at our standard rate.

Jamb Blocks

Issue Date: January 2014
 Tel: 01670 854316
 Fax: 01670 818724
 Email: info@modernarchitecturalstone.com
 Web: www.modernarchitecturalstone.com

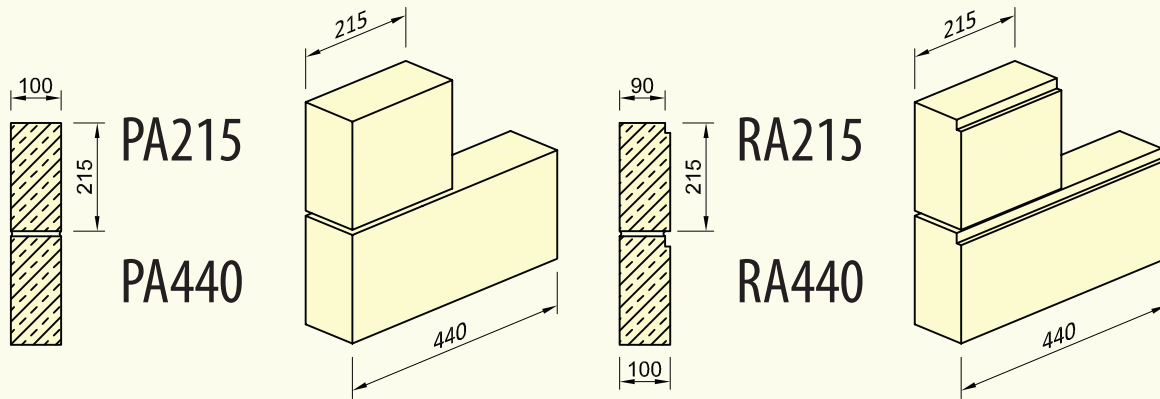


CODE	HEIGHT	DEPTH	LENGTH	OTHER DEPTHS
CJB150	215mm	100mm	150mm	125 or 150
CJB215	215mm	100mm	215mm	125 or 150
CJB330	215mm	100mm	330mm	125 or 150
CJBE	215mm	100mm	215mm	125 or 150
PJB150	215mm	100mm	150mm	125 or 150
PJB215	215mm	100mm	215mm	125 or 150
PJB330	215mm	100mm	330mm	125 or 150
PJBE	215mm	100mm	215mm	125 or 150

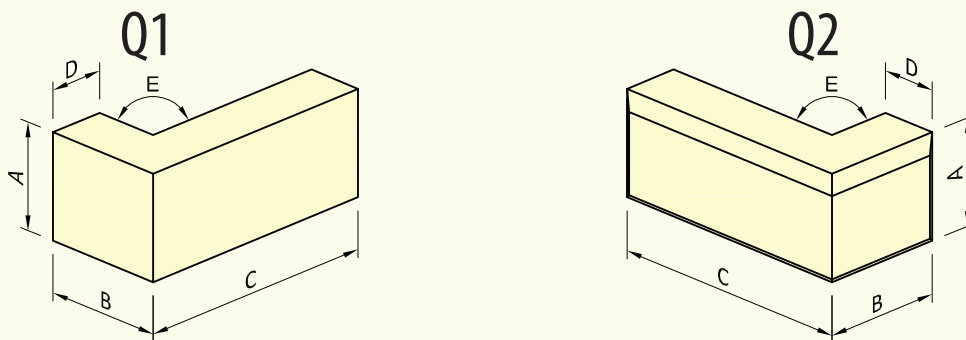
All units supplied by Modern Architectural Stone are manufactured to the highest standards and in accordance with current health and safety regulations. With this in mind ALL units above 50kg are manufactured in sections unless stated with the order, in this case lifting inserts will be fitted at our standard rate.

Quoins & Blocks

Issue Date: January 2014
 Tel: 01670 854316
 Fax: 01670 818724
 Email: info@modernarchitecturalstone.com
 Web: www.modernarchitecturalstone.com



CODE	HEIGHT	DEPTH	LENGTH
PA215	215mm	100mm	215mm
PA440	215mm	100mm	440mm
RA215	215mm	100mm	215mm
RA440	215mm	100mm	440mm



CODE	HEIGHT (A)	DEPTH (B)	LENGTH (C)	BED SIZE (D)	ANGLE (E)
Q1	215mm	215mm	330mm	100mm	90° or 135°
Q1A	215mm	215mm	440mm	100mm	90° or 135°
Q1B	290mm	215mm	330mm	100mm	90°
Q1C	290mm	215mm	440mm	100mm	90°
Q2	215mm	215mm	330mm	100mm	90° or 135°
Q2A	215mm	215mm	440mm	100mm	90° or 135°
Q2B	290mm	215mm	330mm	100mm	90°
Q2C	290mm	215mm	440mm	100mm	90°

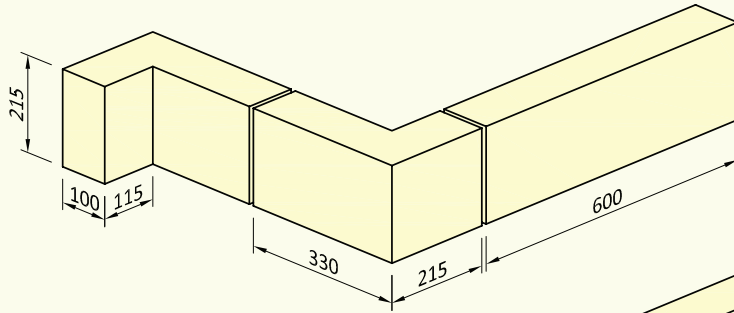
All units supplied by Modern Architectural Stone are manufactured to the highest standards and in accordance with current health and safety regulations. With this in mind ALL units above 50kg are manufactured in sections unless stated with the order, in this case lifting inserts will be fitted at our standard rate.

String Course

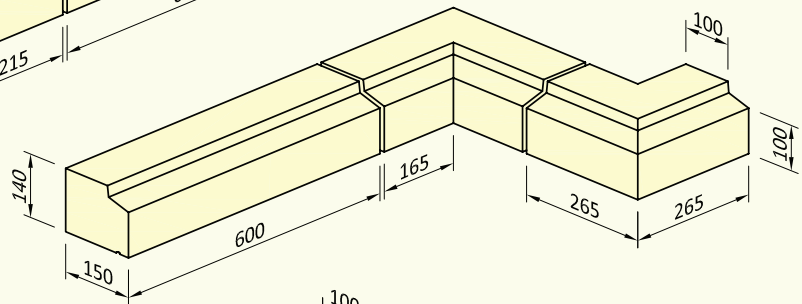
Issue Date: January 2014
Tel: 01670 854316
Fax: 01670 818724
Email: info@modernarchitecturalstone.com
Web: www.modernarchitecturalstone.com



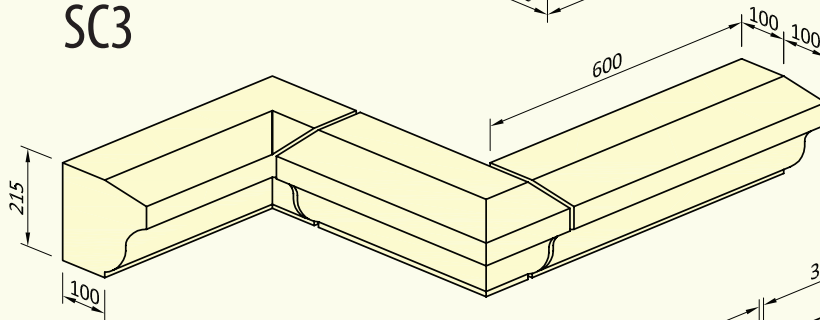
SC1 215mm or 140mm high.



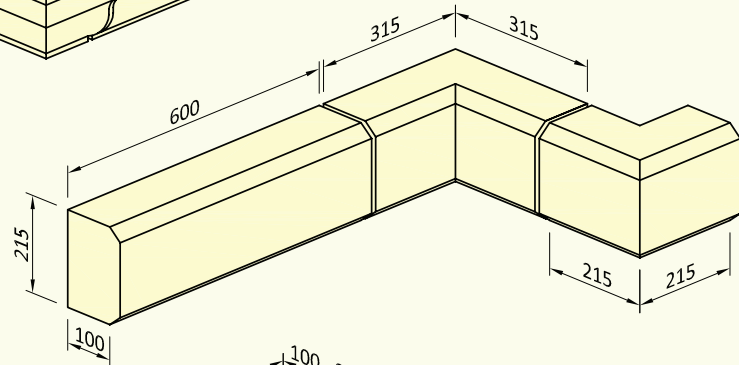
SC2



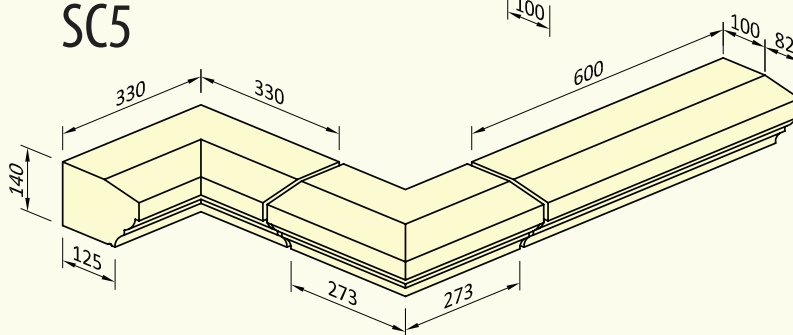
SC3



SC4 215mm or 140mm high.



SC5



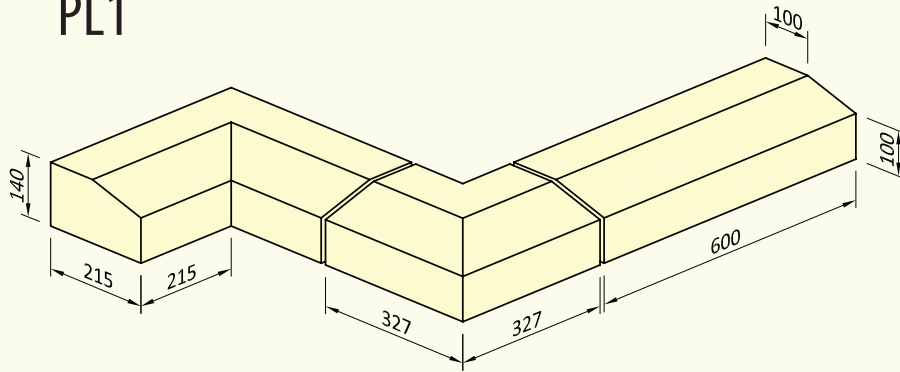
All units supplied by Modern Architectural Stone are manufactured to the highest standards and in accordance with current health and safety regulations. With this in mind ALL units above 50kg are manufactured in sections unless stated with the order, in this case lifting inserts will be fitted at our standard rate.

Plinth Course

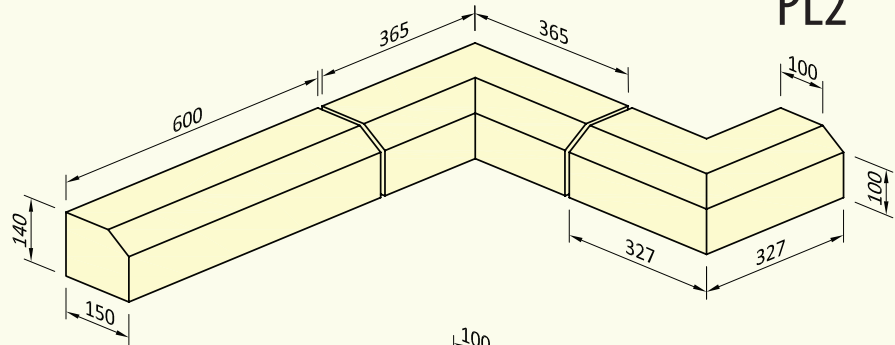
Issue Date: January 2014
Tel: 01670 854316
Fax: 01670 818724
Email: info@modernarchitecturalstone.com
Web: www.modernarchitecturalstone.com



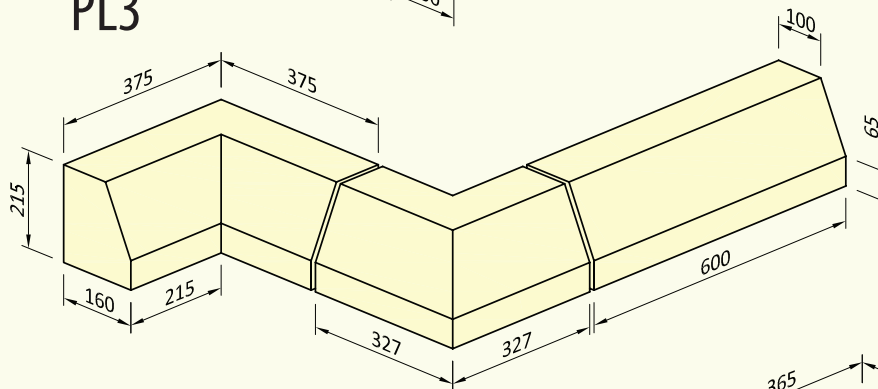
PL1



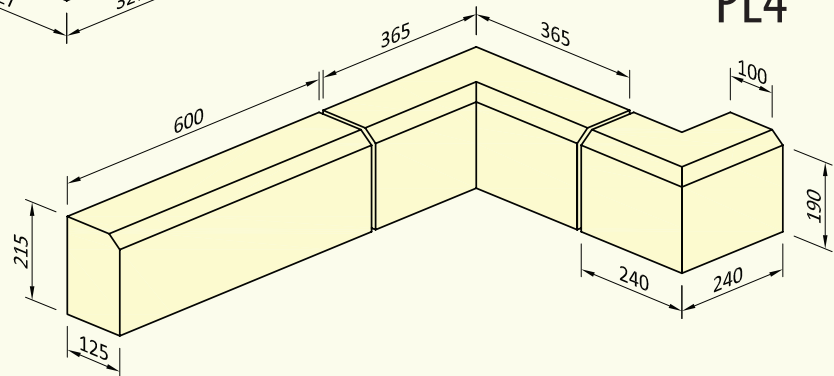
PL2



PL3



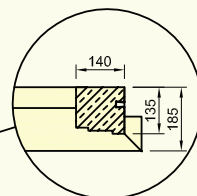
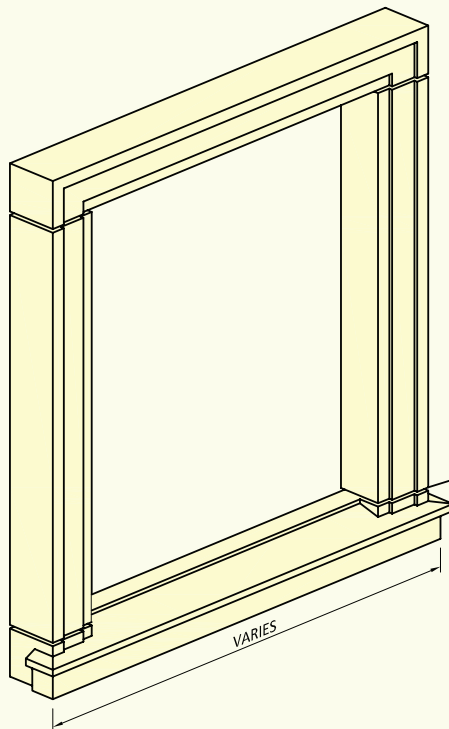
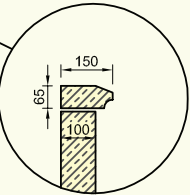
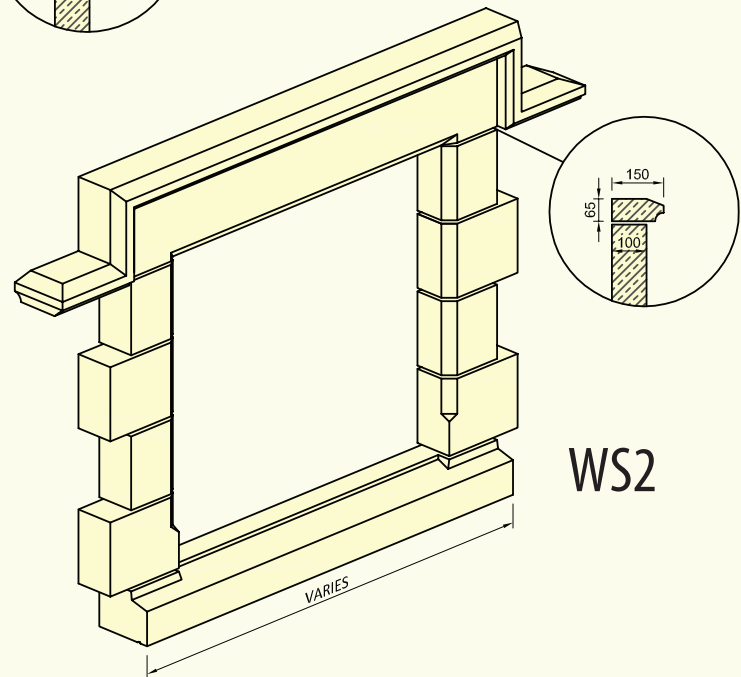
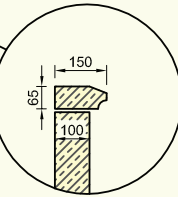
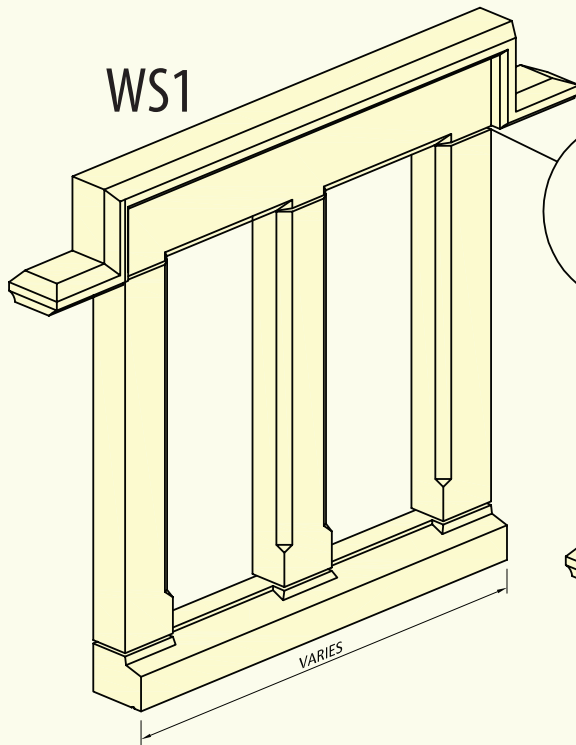
PL4



All units supplied by Modern Architectural Stone are manufactured to the highest standards and in accordance with current health and safety regulations. With this in mind ALL units above 50kg are manufactured in sections unless stated with the order, in this case lifting inserts will be fitted at our standard rate.

Window Surrounds

Issue Date: January 2014
Tel: 01670 854316
Fax: 01670 818724
Email: info@modernarchitecturalstone.com
Web: www.modernarchitecturalstone.com



WS3

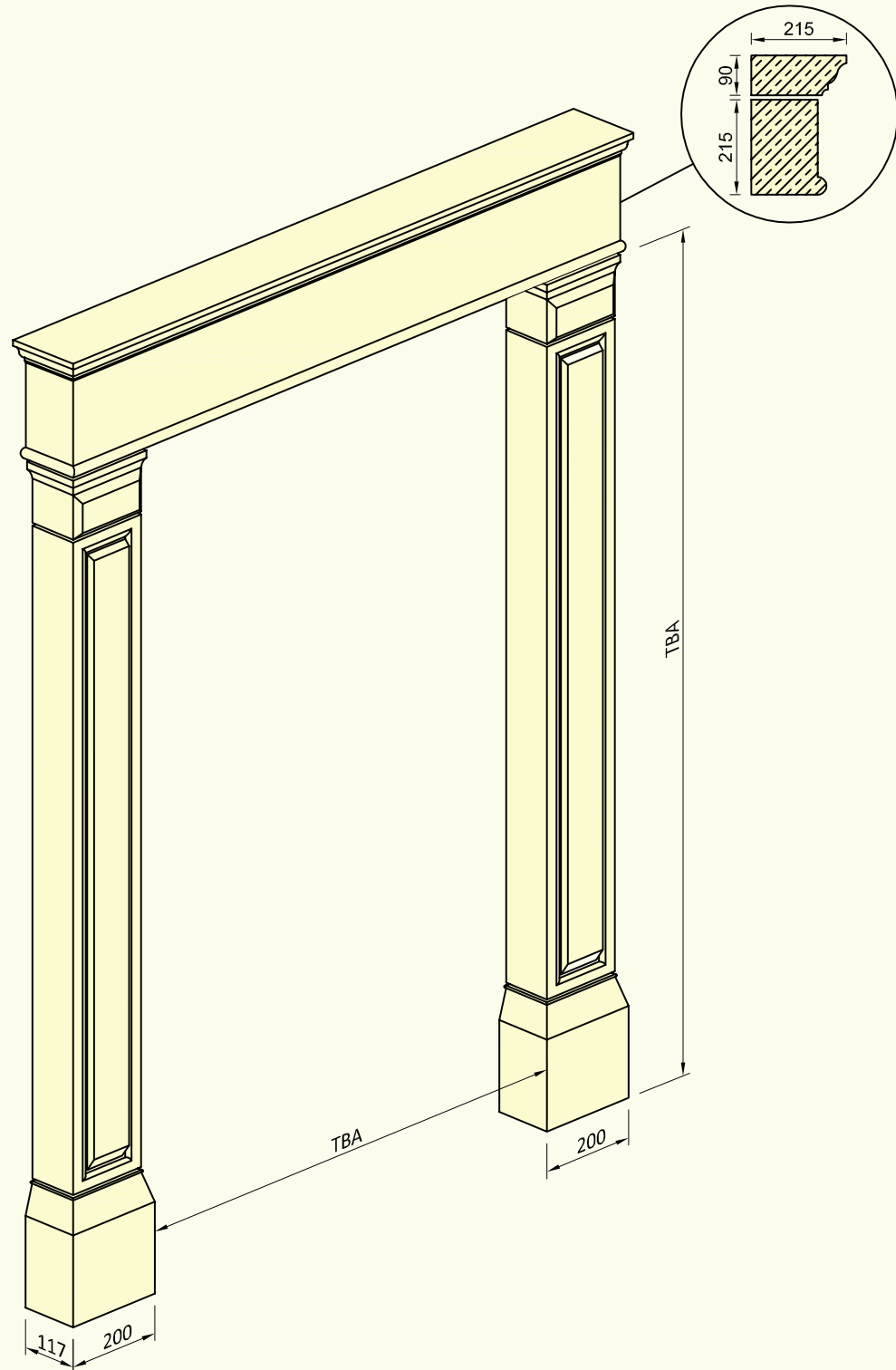
All units supplied by Modern Architectural Stone are manufactured to the highest standards and in accordance with current health and safety regulations. With this in mind ALL units above 50kg are manufactured in sections unless stated with the order, in this case lifting inserts will be fitted at our standard rate.

Door Surround

Issue Date: January 2014
Tel: 01670 854316
Fax: 01670 818724
Email: info@modernarchitecturalstone.com
Web: www.modernarchitecturalstone.com



DS1



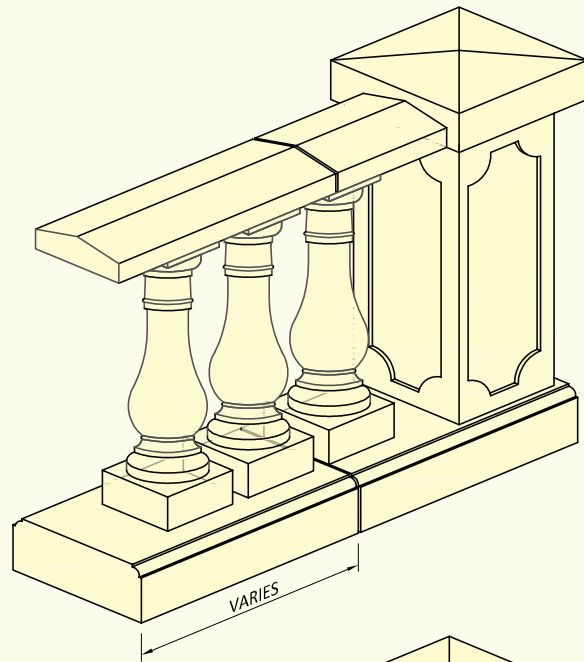
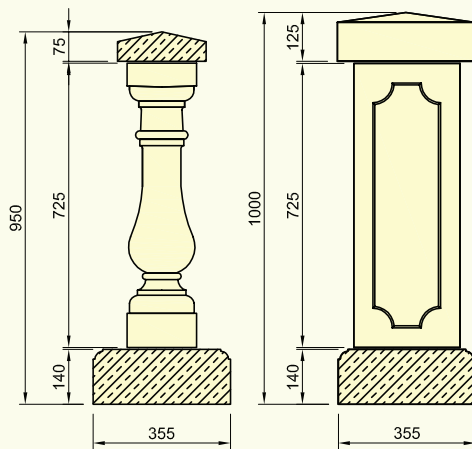
All units supplied by Modern Architectural Stone are manufactured to the highest standards and in accordance with current health and safety regulations. With this in mind ALL units above 50kg are manufactured in sections unless stated with the order, in this case lifting inserts will be fitted at our standard rate.

Balustrades

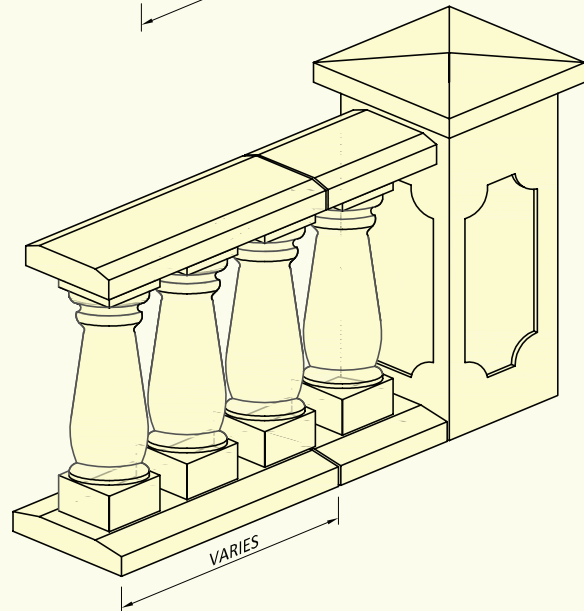
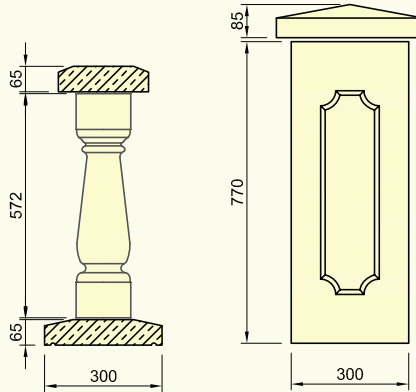
Issue Date: January 2014
Tel: 01670 854316
Fax: 01670 818724
Email: info@modernarchitecturalstone.com
Web: www.modernarchitecturalstone.com



BS1



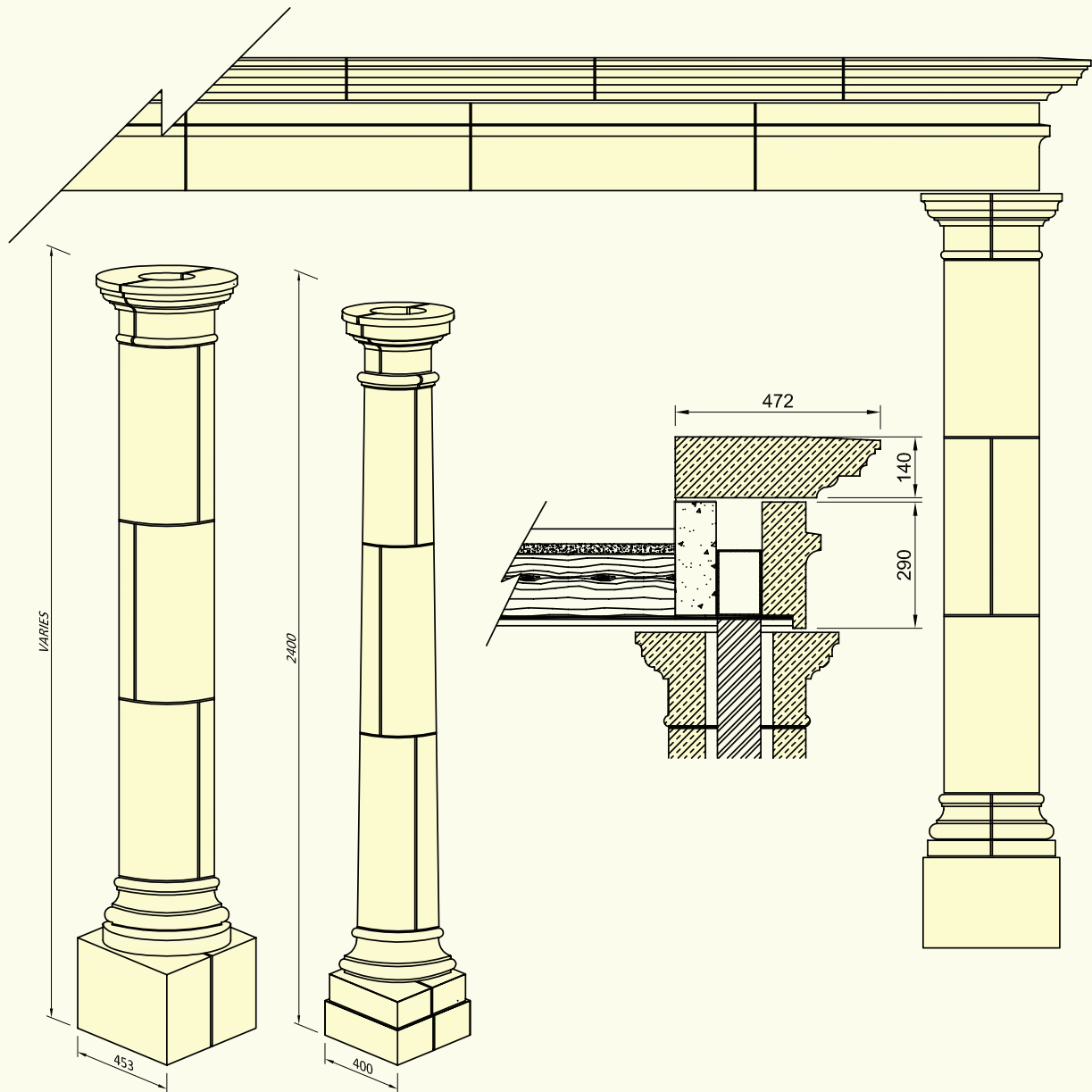
BS2



All units supplied by Modern Architectural Stone are manufactured to the highest standards and in accordance with current health and safety regulations. With this in mind ALL units above 50kg are manufactured in sections unless stated with the order, in this case lifting inserts will be fitted at our standard rate.

Portico

Issue Date: January 2014
Tel: 01670 854316
Fax: 01670 818724
Email: info@modernarchitecturalstone.com
Web: www.modernarchitecturalstone.com



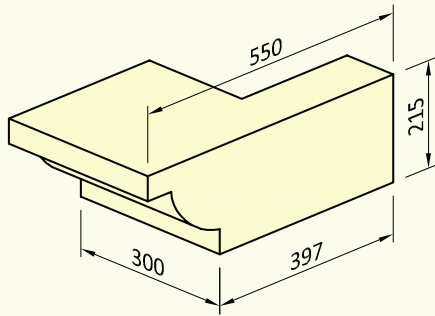
All units supplied by Modern Architectural Stone are manufactured to the highest standards and in accordance with current health and safety regulations. With this in mind ALL units above 50kg are manufactured in sections unless stated with the order, in this case lifting inserts will be fitted at our standard rate.

Feature Stones

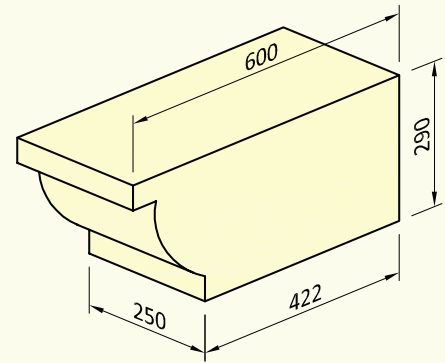
Issue Date: January 2014
Tel: 01670 854316
Fax: 01670 818724
Email: info@modernarchitecturalstone.com
Web: www.modernarchitecturalstone.com



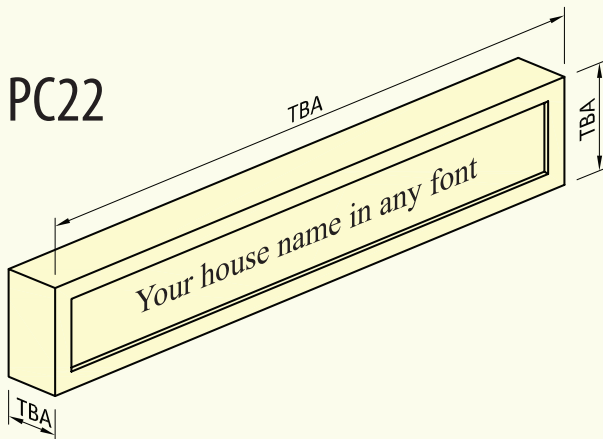
PC21



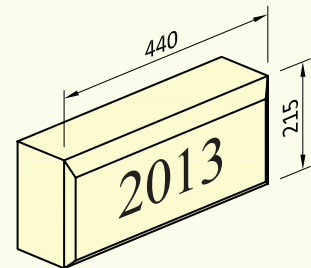
PC21A



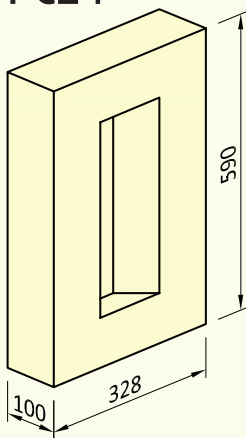
PC22



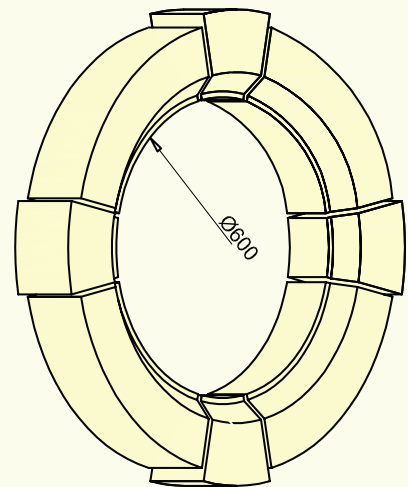
PC23



PC24



PC25



PC25 is available with or without keystones, 600mm or 900mm opening.

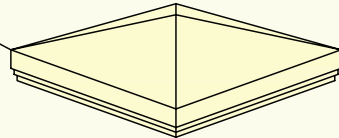
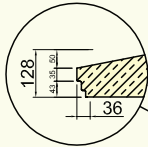
All units supplied by Modern Architectural Stone are manufactured to the highest standards and in accordance with current health and safety regulations. With this in mind ALL units above 50kg are manufactured in sections unless stated with the order, in this case lifting inserts will be fitted at our standard rate.

Pier Caps

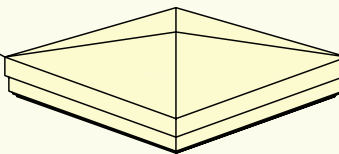
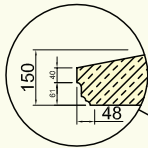
Issue Date: January 2014
 Tel: 01670 854316
 Fax: 01670 818724
 Email: info@modernarchitecturalstone.com
 Web: www.modernarchitecturalstone.com



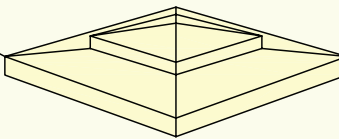
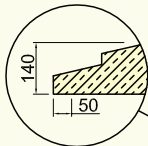
PC9



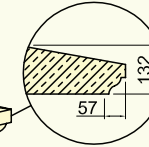
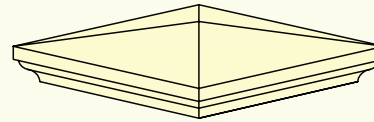
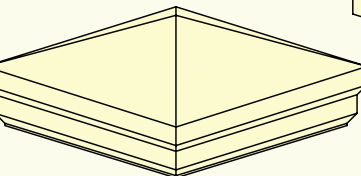
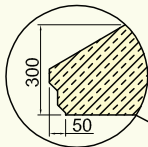
PC11



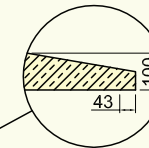
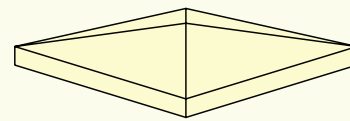
PC13



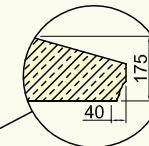
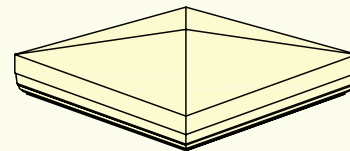
PC15



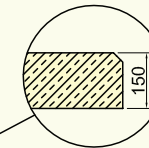
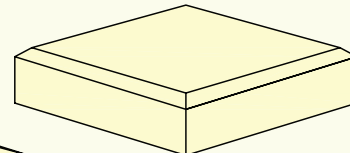
PC10



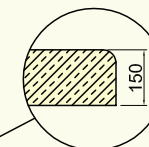
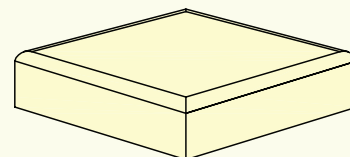
PC12



PC14



PC16



PC17

CODE / PIER	STANDARD BRICKWORK PILLAR SIZES				
	1 x 1 brick	1.5 x 1.5 brick	2 x 2 brick	2.5 x 2.5 brick	3 x 3 brick
PC9	N/A	340mm base	465mm base	N/A	N/A
PC10	225mm base	340mm base	465mm base	580mm base	685mm base
PC11	N/A	340mm base	465mm base	580mm base	685mm base
PC12	300mm base	375 & 400mm base	450 & 525mm base	625mm base	750mm base
PC13	275mm base	380mm base	530mm base	N/A	N/A
PC14	N/A	350mm base	480mm base	600mm base	715mm base
PC15	N/A	330mm base	440mm base	557mm base	665mm base
PC16	N/A	330mm base	440 & 490mm base	N/A	N/A
PC17	N/A	330mm base	440mm base	N/A	N/A

We are constantly updating our stock moulds and other sizes may be available, we also carry a selection of rectangular moulds. Please call 01670 854316 with your sizes.

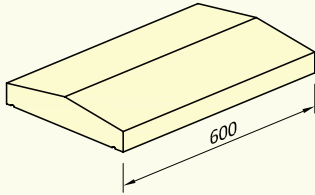
All units supplied by Modern Architectural Stone are manufactured to the highest standards and in accordance with current health and safety regulations. With this in mind ALL units above 50kg are manufactured in sections unless stated with the order, in this case lifting inserts will be fitted at our standard rate.

Coping

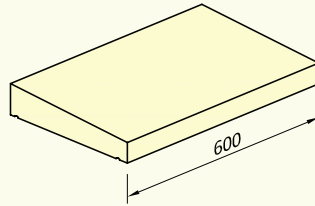
Issue Date: January 2014
 Tel: 01670 854316
 Fax: 01670 818724
 Email: info@modernarchitecturalstone.com
 Web: www.modernarchitecturalstone.com



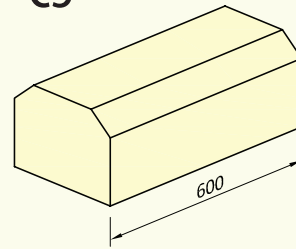
C1



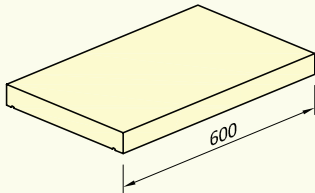
C2



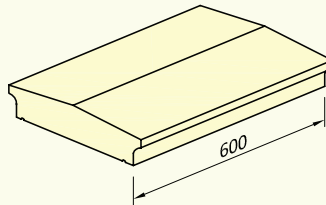
C3



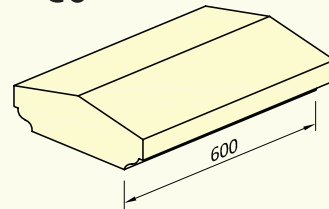
C4



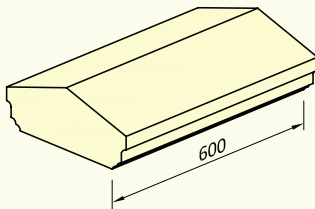
C5



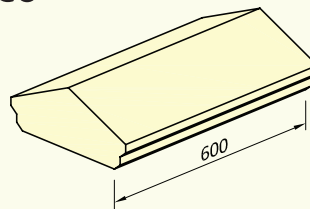
C6



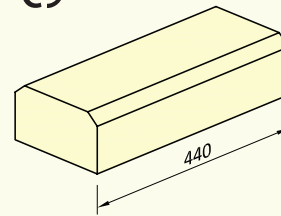
C7



C8



C9



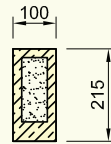
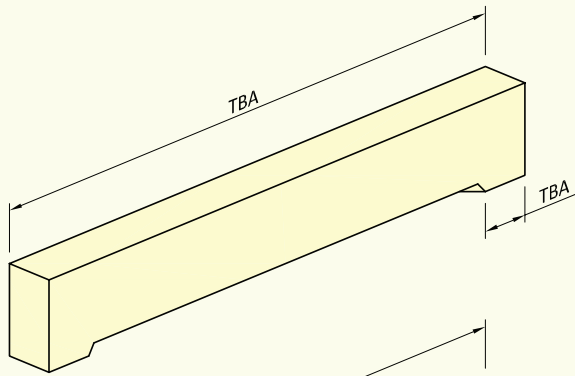
CODE / PIER	HEIGHT	LENGTH	100mm wall	215mm wall	300mm wall	350mm wall
C1	75mm	600mm	190mm base	305mm base	385mm base	450mm base
C2	75mm	600mm	190mm base	305mm base	385mm base	450mm base
C3	215mm	600mm	call for spec	250mm base	call for spec	call for spec
C4	50 or 75mm	600mm	190mm base	305mm base	385mm base	450mm base
C5	85mm	600mm	call for spec	315mm base	call for spec	call for spec
C6	132mm	600mm	call for spec	240mm base	340mm base	call for spec
C7	150mm	600mm	call for spec	240mm base	325mm base	call for spec
C8	150mm	600mm	call for spec	240mm base	call for spec	call for spec
C9	140mm	440mm	call for spec	215mm base	call for spec	call for spec

We are constantly updating our stock moulds and other sizes may be available, please call 01670 854316 with your requirements.

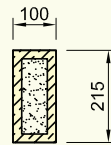
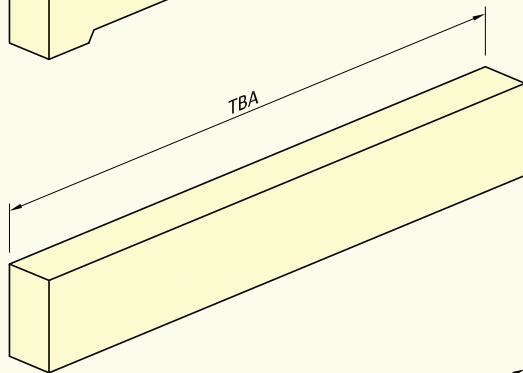
All units supplied by Modern Architectural Stone are manufactured to the highest standards and in accordance with current health and safety regulations. With this in mind ALL units above 50kg are manufactured in sections unless stated with the order, in this case lifting inserts will be fitted at our standard rate.

MasLite Heads & Cills

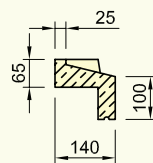
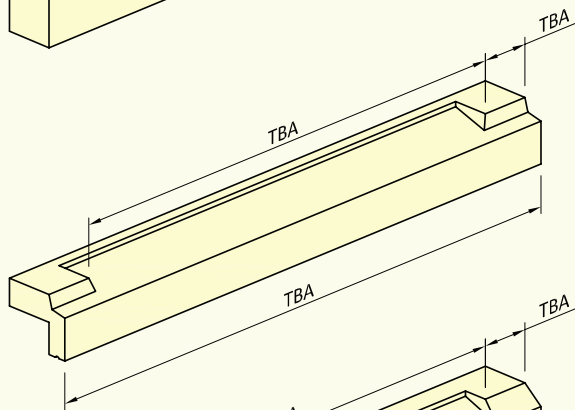
Issue Date: January 2014
Tel: 01670 854316
Fax: 01670 818724
Email: info@modernarchitecturalstone.com
Web: www.modernarchitecturalstone.com



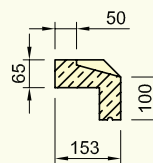
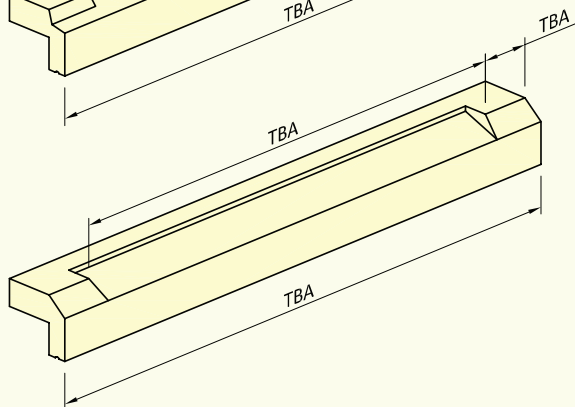
Chamfered head



Plain head



Stooled cill



Chamfered cill

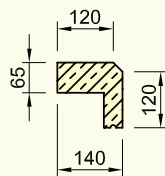
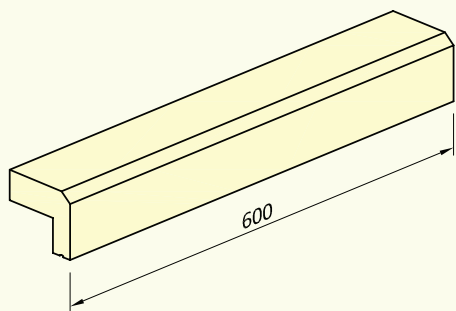
All units supplied by Modern Architectural Stone are manufactured to the highest standards and in accordance with current health and safety regulations. With this in mind ALL units above 50kg are manufactured in sections unless stated with the order, in this case lifting inserts will be fitted at our standard rate.

MasLite Extras

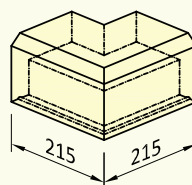
Issue Date: January 2014
Tel: 01670 854316
Fax: 01670 818724
Email: info@modernarchitecturalstone.com
Web: www.modernarchitecturalstone.com



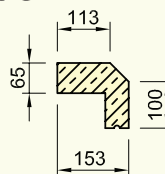
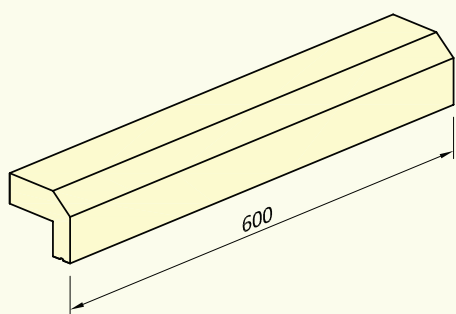
Chamfered string course



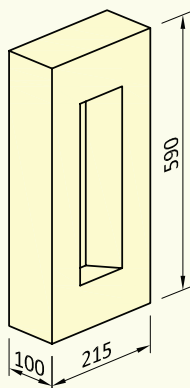
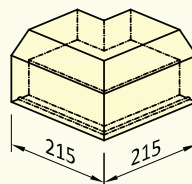
90° External return



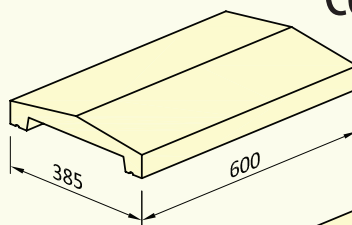
Chamfered stool string course



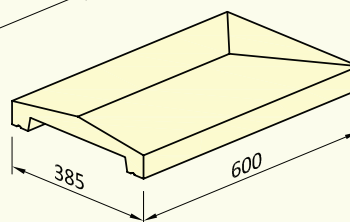
90° External return



Gable vent



Coping straight



Coping end

All units supplied by Modern Architectural Stone are manufactured to the highest standards and in accordance with current health and safety regulations. With this in mind ALL units above 50kg are manufactured in sections unless stated with the order, in this case lifting inserts will be fitted at our standard rate.

Previous Contracts

Issue Date: January 2014
Tel: 01670 854316
Fax: 01670 818724
Email: info@modernarchitecturalstone.com
Web: www.modernarchitecturalstone.com



7 Bed mansion in the North East



All units supplied by Modern Architectural Stone are manufactured to the highest standards and in accordance with current health and safety regulations. With this in mind ALL units above 50kg are manufactured in sections unless stated with the order, in this case lifting inserts will be fitted at our standard rate.

Previous Contracts

Issue Date: January 2014
Tel: 01670 854316
Fax: 01670 818724
Email: info@modernarchitecturalstone.com
Web: www.modernarchitecturalstone.com



A private dwelling using WS1 Window surrounds. Colour 01

Another private dwelling but this time using WS2 type Window surrounds. Colour 01



All units supplied by Modern Architectural Stone are manufactured to the highest standards and in accordance with current health and safety regulations. With this in mind ALL units above 50kg are manufactured in sections unless stated with the order, in this case lifting inserts will be fitted at our standard rate.

Previous Contracts

Issue Date: January 2014
Tel: 01670 854316
Fax: 01670 818724
Email: info@modernarchitecturalstone.com
Web: www.modernarchitecturalstone.com



A nice example showing a mix of natural stone walling alongside our artstone. Colour 02

Our standard portico alongside PC1R cills. The quoins & keystones are actually 40mm deep and resin fixed onto the existing property prior to rendering. Colour 07



All units supplied by Modern Architectural Stone are manufactured to the highest standards and in accordance with current health and safety regulations. With this in mind ALL units above 50kg are manufactured in sections unless stated with the order, in this case lifting inserts will be fitted at our standard rate.

PREVIOUS CONTRACTS

Issue Date: January 2014
Tel: 01670 854316
Fax: 01670 818724
Email: info@modernarchitecturalstone.com
Web: www.modernarchitecturalstone.com



This detached house in Tyneside is one of many in the area using our new product MasLite®

Standard plain heads & cills make this an affordable & lightweight solution for any project.

Full MasLite® window surrounds alongside cills shown on this apartment block.



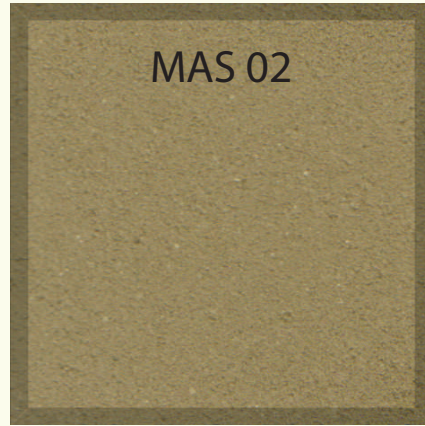
All units supplied by Modern Architectural Stone are manufactured to the highest standards and in accordance with current health and safety regulations. With this in mind ALL units above 50kg are manufactured in sections unless stated with the order, in this case lifting inserts will be fitted at our standard rate.

Standard Colours

Issue Date: January 2014
Tel: 01670 854316
Fax: 01670 818724
Email: info@modernarchitecturalstone.com
Web: www.modernarchitecturalstone.com



MAS 01



MAS 02



MAS 03



MAS 04



MAS 06



MAS 07

All units supplied by Modern Architectural Stone are manufactured to the highest standards and in accordance with current health and safety regulations. With this in mind ALL units above 50kg are manufactured in sections unless stated with the order, in this case lifting inserts will be fitted at our standard rate.