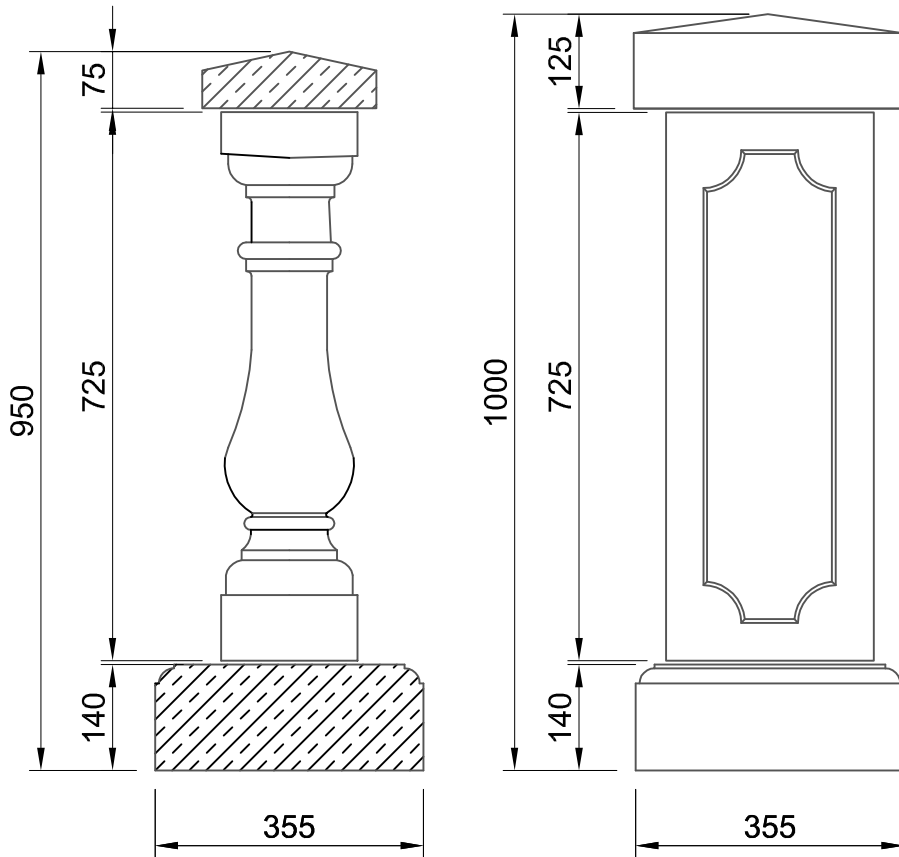


# BS1 BALUSTRADE DATA SHEET



**Baserail:** 105kg per mtr  
**Handrail:** 31kg per mtr  
**Balustrades:** 24kg  
**Pillar Base:** 37kg  
**Pillar Cap:** 30kg  
**Pillar:** 115kg

## General Notes

DO NOT SCALE FROM THIS DRAWING.

PLEASE CHECK ALL DIMENSIONS ARE CORRECT THEN SIGN AND RETURN.

No	Revision	Date



Modern Architectural Stone Ltd  
 Unit 7-9  
 Cambois Ind Est - Cambois  
 Blyth  
 Tel: 01670 854316  
 Fax: 01670 818724  
 Info@modernarchitecturalstone.com

Dwg No:Mas-08

Client

DATA SHEET

Project

BS1 BALUSTRADES

Colour	TBA
Date	JAN 2012
Scale	1:10
Job Card	TBA
Drawn by	BSM

Due to current health & safety regulations ALL units above 50kg will be cast in sections. It may be possible to cast long units in 1 piece with the required lifting inserts cast in.