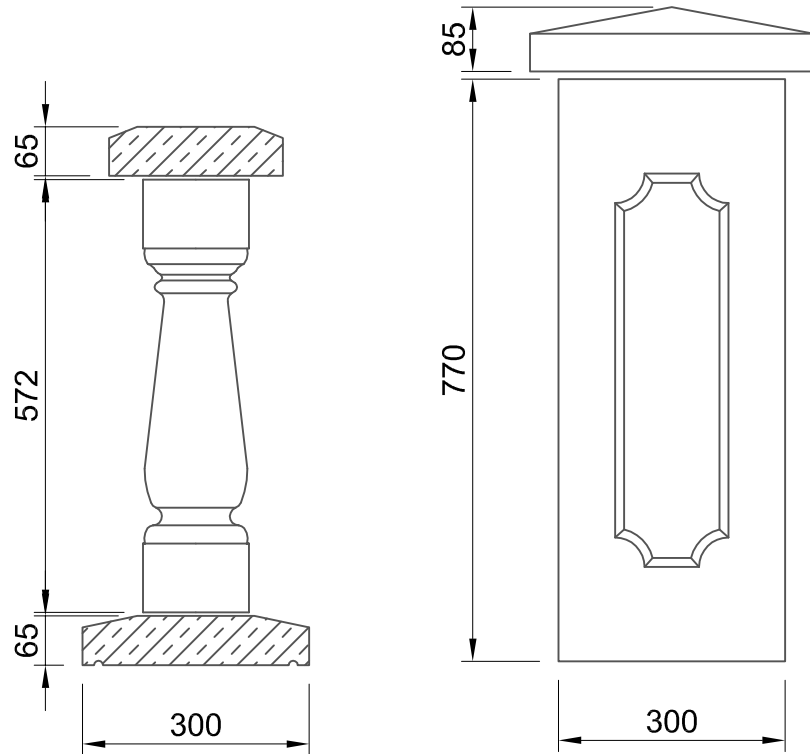


BS2 BALUSTRADE DATA SHEET



Baserail: 40kg per mtr
Handrail: 31kg per mtr
Balustrades: 15kg
Pillar Cap: 18kg
Pillar: 145kg

General Notes

DO NOT SCALE FROM THIS DRAWING.

PLEASE CHECK ALL DIMENSIONS ARE CORRECT THEN SIGN AND RETURN.

| No | Revision | Date |
|----|----------|------|
| | | |



Modern Architectural Stone Ltd
 Unit 7-9
 Cambois Ind Est - Cambois
 Blyth
 Tel: 01670 854316
 Fax: 01670 818724
 Info@modernarchitecturalstone.com

Dwg No:Mas-09

Client

DATA SHEET

Project

BS2 BALUSTRADES

| | |
|----------|----------|
| Colour | TBA |
| Date | JAN 2012 |
| Scale | 1:10 |
| Job Card | TBA |
| Drawn by | BSM |

Due to current health & safety regulations ALL units above 50kg will be cast in sections. It may be possible to cast long units in 1 piece with the required lifting inserts cast in.