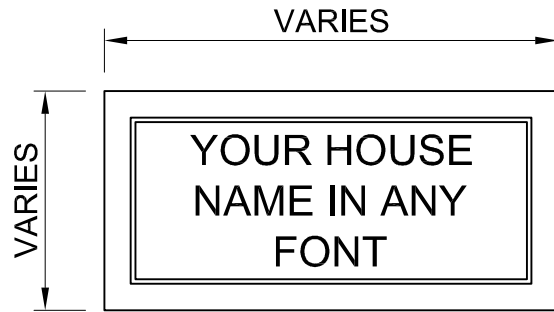
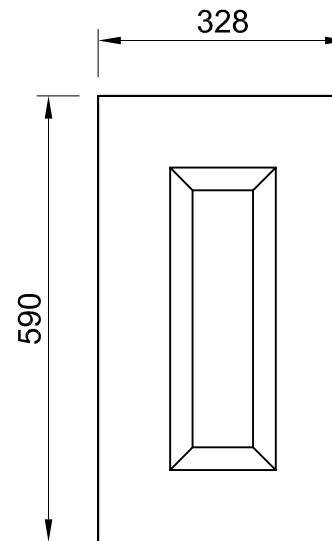


FEATURE STONES DATA SHEET

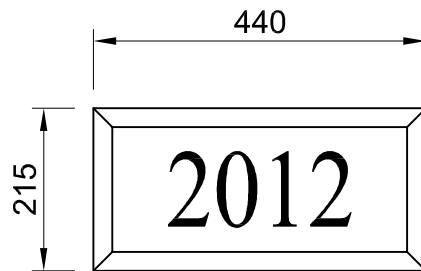
PC22



PC24



PC23



General Notes

DO NOT SCALE FROM THIS DRAWING.

PLEASE CHECK ALL DIMENSIONS ARE CORRECT THEN SIGN AND RETURN.

No	Revision	Date



Modern Architectural Stone Ltd
Unit 7-9
Cambois Ind Est - Cambois
Blyth
Tel: 01670 854316
Fax: 01670 818724
Info@modernarchitecturalstone.com

Dwg No:Mas-22

Client

DATA SHEET

Project

FEATURE STONES

Colour	TBA
Date	JAN 2012
Scale	1:10
Job Card	TBA
Drawn by	BSM

Due to current health & safety regulations ALL units above 50kg will be cast in sections. It may be possible to cast long units in 1 piece with the required lifting inserts cast in.