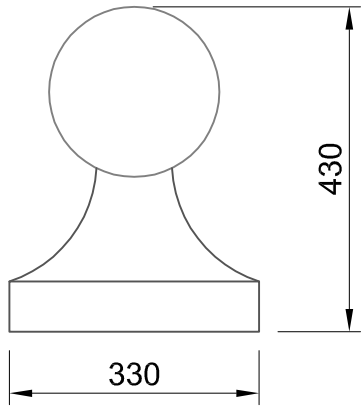
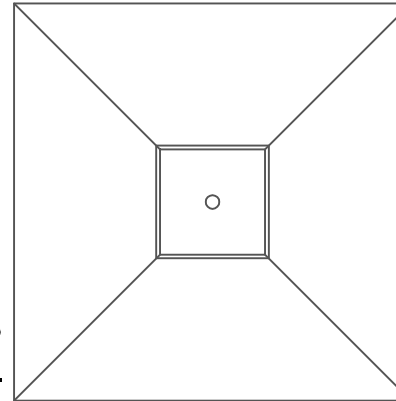


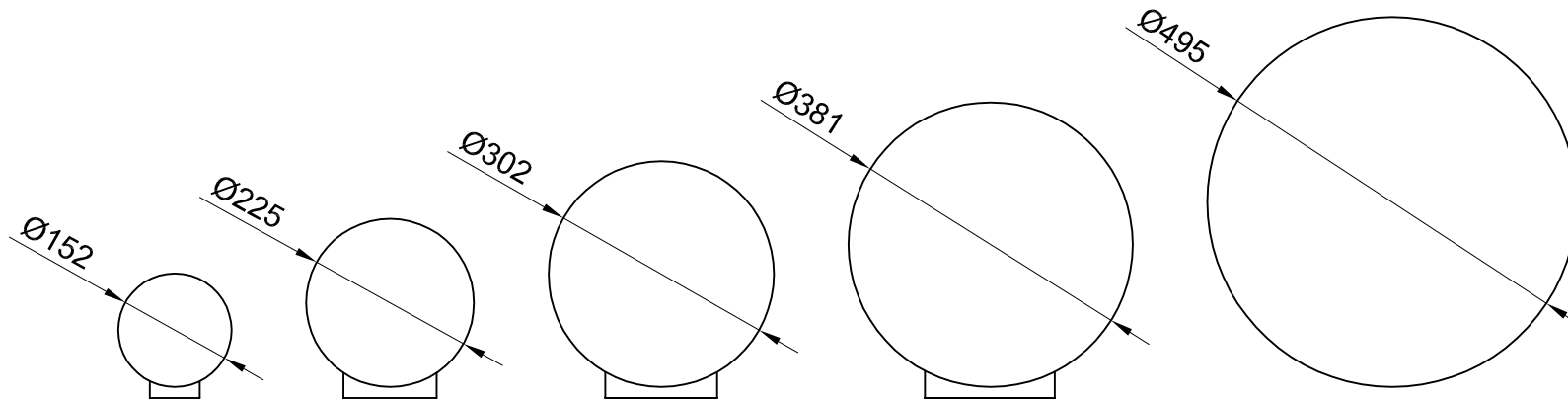
SPHERE DATA SHEET



Standard Finial shown with a 12" sphere.



PC12 Pier cap shown with recess prior to fitting the sphere.



Due to current health & safety regulations ALL units above 50kg will be cast in sections. It may be possible to cast long units in 1 piece with the required lifting inserts cast in.

General Notes

DO NOT SCALE FROM THIS DRAWING.

PLEASE CHECK ALL DIMENSIONS ARE CORRECT THEN SIGN AND RETURN.

No	Revision	Date
----	----------	------



Modern Architectural Stone Ltd
Unit 7-9
Cambois Ind Est - Cambois
Blyth
Tel: 01670 854316
Fax: 01670 818724
Info@modernarchitecturalstone.com

Dwg No: Mas-15

Client

DATA SHEET

Project

SPHERE'S

Colour	TBA
Date	JAN 2012
Scale	1:10
Job Card	TBA
Drawn by	BSM