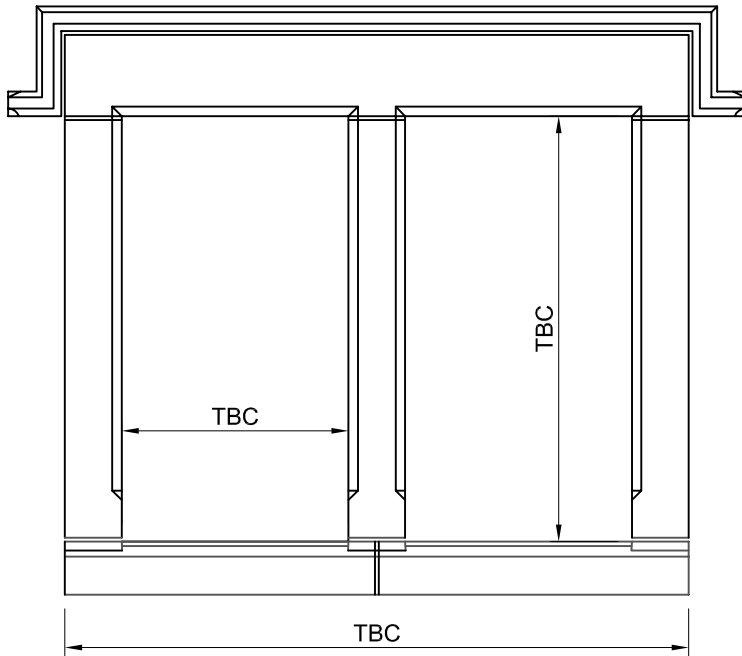
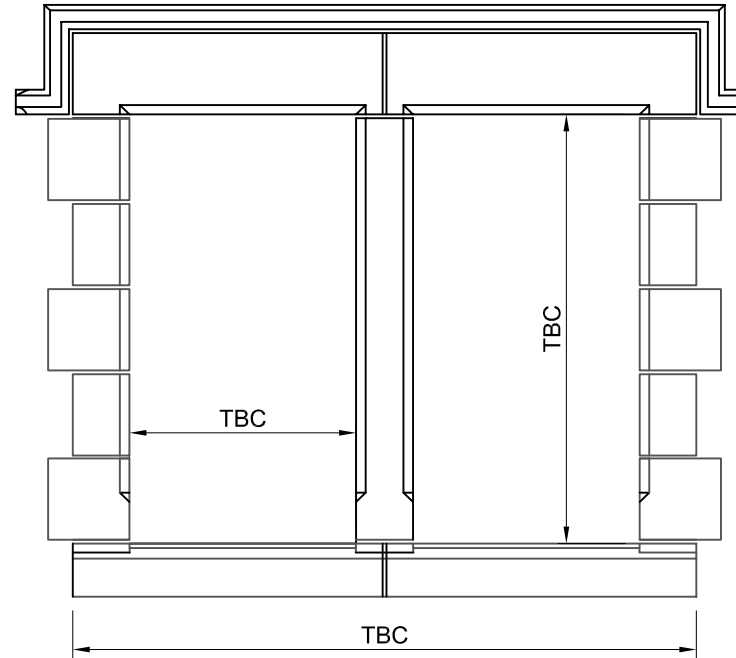


# WINDOW SURROUNDS DATA SHEET

WS1 SHOWN WITH CENTRE MULLION



WS2 SHOWN WITH CENTRE MULLION



General Notes

DO NOT SCALE FROM THIS DRAWING.

PLEASE CHECK ALL DIMENSIONS ARE CORRECT THEN SIGN AND RETURN.

No	Revision	Date
----	----------	------



Modern Architectural Stone Ltd  
Unit 7-9  
Cambois Ind Est - Cambois  
Blyth  
Tel: 01670 854316  
Fax: 01670 818724  
Info@modernarchitecturalstone.com

Dwg No: Mas-14

Client

DATA SHEET

Project

WINDOW SURROUNDS

Colour	TBA
Date	JAN 2012
Scale	1:20
Job Card	TBA
Drawn by	BSM

Due to current health & safety regulations ALL units above 50kg will be cast in sections. It may be possible to cast long units in 1 piece with the required lifting inserts cast in.